

# TSU1000 Tank Monitor Setup Instructions



The power of data. **Optimized.**

## Connect Battery Pack and Test Connection

- 1 For tank farm systems with a gateway, set up gateway before connecting battery pack.

Select a spot near tank you are installing.

**Remote Antenna** – If your monitor came with a Remote Antenna, connect cable of remote antenna to connector on outside of TSU1000 monitor. Position remote antenna away from monitor at a location that is unobstructed from obtaining a cellular signal.

To power up TankScan Monitor unscrew enclosure cover. Connect battery pack cable to connector on circuit board as shown.

Reinstall cover and hand tighten firmly.

Monitor will wake up and sound 1 beep. Then a second single beep will follow, with a third single beep for data transmission. 3 single beeps indicates a good connection was made.

If more than 3 single beeps were heard, please contact technical support at 877-847-7226 or CCT@TankScan.com.

If 3 single beeps are confirmed, then proceed as follows.

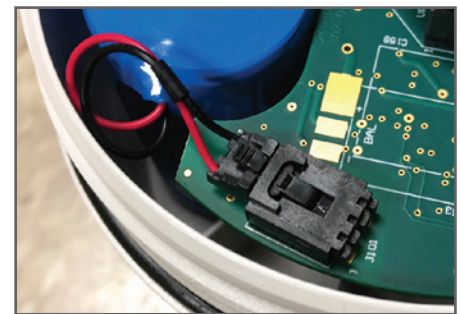
 **Caution. Use only ATEK provided battery pack part # TSTRB01000.**

1

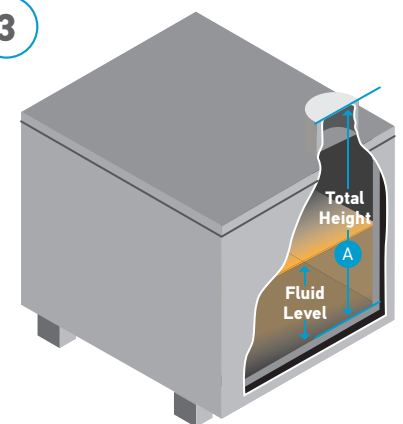


Remote Antenna

1



3



## Take Measurement

- 2 Remove any equipment from tank port to be used by monitor. TSU monitor can be connected directly to tanks with a 1.5" or 2" NPT threaded opening.
- 3 Measure total height **A** from inside bottom of tank to top of tank port. Record and report measurement to CCT.

Total Height: \_\_\_\_\_

# TSU1000 Tank Monitor Setup Instructions



The power of data. **Optimized.**

## Attach Accessories

- 4 Stilling Tube** - if your monitor came with a Stilling Tube install that now per provided installation instructions.
- 5 Remote Sensor** - if your monitor came with a Remote Sensor install that now per provided installation instructions.

## Mount TSU Monitor to Tank

- 6** Screw TSU monitor into tank port and hand tighten until secure
  - Seal pipe threads of monitor using product appropriate for this application prior to tightening into tank port.

Remote antenna can be disconnected to make mounting easier then reattached after monitor is mounted.

## Test Setup

- 7** Test monitor by swiping magnet end of supplied screwdriver along cover's rim above triangle indicator on housing base until a beep is heard. Monitor will take a level reading and then report to ATEK Intelligence Platform (AIP). A second single beep will occur once monitor has finished reporting its level measurement.
- 8** If the monitor has been pre-provisioned, then confirm the reading is correct on AIP or optionally you can call TankScan Technical Support, to finish or confirm the reading.

**NOTE:** Step 8 must be completed for monitor to function properly.

**For questions or problems –  
Contact TankScan Technical Support  
877-847-7226**

4



Stilling Tube

5



Remote Sensor

7



223-0176-000 Rev. D 3/20

ATEK Access Technologies  
10025 Valley View Road, Ste. 190  
Eden Prairie, MN 55344 U.S.A.

PH: 1.800.523.6996  
FAX: 1.800.589.3705  
+1.218.829.9797

[www.atekaccess.com](http://www.atekaccess.com)

**ATEK** Access  
Technologies

Access the power of technology.

©2020 ATEK Access Technologies, LLC. All Rights Reserved. TankScan images and marketing materials are protected by various patents, copyrights and/or trademarks. ATEK assumes no responsibility for any errors which may appear in this document, reserves the right to change devices or specifications detailed herein at any time without notice, and does not make any commitment to update the information contained herein. No licenses to patents or other intellectual property of ATEK are granted by the Company in connection with the sale of TankScan products, expressly or by implication.