

# Stilling Tube Installation Instructions



The power of data. **Optimized.**

## Connect Battery Pack and Test Connection

- 1 For tank farm systems with a gateway, set up gateway before connecting battery pack.

Select a spot near tank you are installing.

To power up TankScan Monitor unscrew enclosure cover. Connect battery pack cable to connector on circuit board as shown.

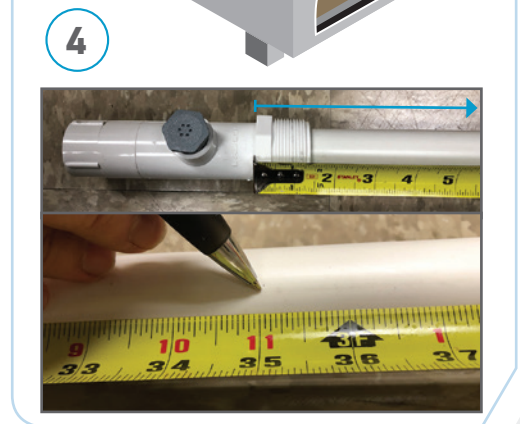
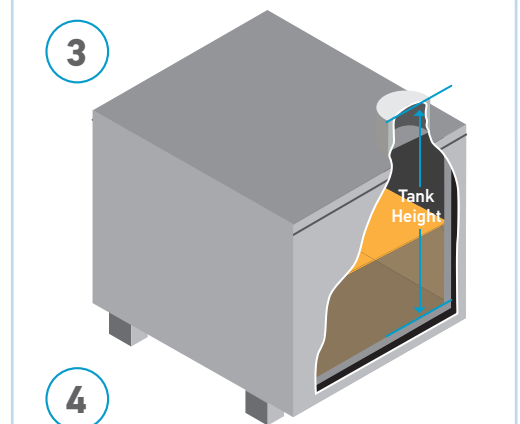
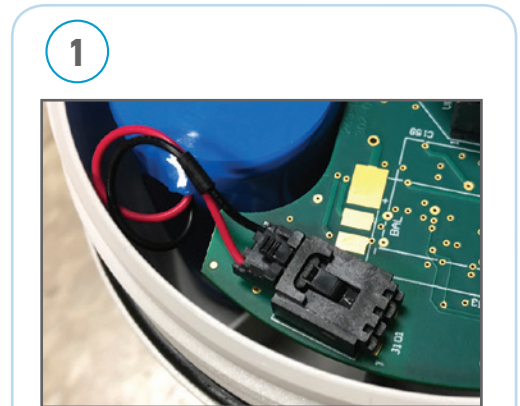
Reinstall cover and hand tighten firmly.

Monitor will wake up and sound 1 beep. Then a second single beep will follow, with a third single beep for data transmission. 3 single beeps indicates a good connection was made.

If more than 3 single beeps were heard, please contact technical support at 877-847-7226 or CCT@TankScan.com.

If 3 single beeps are confirmed, then proceed as follows.

 **Caution. Use only ATEK provided battery pack part # TSTRB01000.**



## Take Measurements

- 2 Remove any equipment from tank port to be used by stilling tube if present  
**NOTE:** Do not replace a tank vent with TankScan monitor or stilling tube.
- 3 Measure tank height from inside bottom of tank to top of tank port.  
Tank Height: \_\_\_\_\_

## Cut Stilling Tube to Length

- 4 Measure down stilling tube pipe from top of bushing using tank height measurement from step 2, and mark location on stilling tube pipe.
  - If planning to screw into 2 inch tank opening, add 1 inch to tank height measurement from step 2 prior to marking location on stilling tube pipe.
- 5 Cut stilling tube pipe to length at marked location made in step 3.
  - Remove burrs by running a sharp object or sandpaper along inside and outside edges of pipe.

# Stilling Tube Installation Instructions



The power of data. **Optimized.**

## Install Stilling Tube

- 6 If tank port has a 2 inch opening, screw included 2 inch adapter bushing onto stilling tube's existing bushing. Otherwise use stilling tube as is.
- 7 Seal pipe threads of stilling tube bushing using product appropriate for this application, then insert tube into tank port and tighten.
  - Breather vent protruding outside of stilling tube can be temporarily removed if more clearance is required to rotate stilling tube. Breather vent **MUST** be reinstalled if removed. Tighten vent finger tight plus one rotation.
- 8 Screw monitor or sensor into top of stilling tube until tight
  - Seal pipe threads of monitor or sensor using product appropriate for this application prior to tightening into tank port.

7



9



## Test Setup

- 9 Test monitor by swiping magnet end of supplied screwdriver along cover's rim above triangle indicator on housing base until a beep is heard. Monitor will take a level reading and then report to ATEK Intelligence Platform (AIP). A second single beep will occur once monitor has finished reporting its level measurement.

If the monitor has been pre-provisioned, then confirm the reading is correct on AIP or optionally you can call TankScan Technical Support, to finish or confirm the reading.

**NOTE:** Step 9 must be completed for monitor to function properly.

**For questions  
or problems:  
Contact TankScan  
Technical Support  
877-847-7226**

223-0176-002 Rev. E 8/20

ATEK Access Technologies  
10025 Valley View Road, Ste. 190  
Eden Prairie, MN 55344 U.S.A.

PH: 1.800.523.6996  
FAX: 1.800.589.3705  
+1.218.829.9797

[www.atekaccess.com](http://www.atekaccess.com)



Access the power of technology.