

# TSR1720 Tank Monitor Setup Instructions



The power of data. **Optimized.**

## Connect Battery and Test Connection

- 1 For tank farm systems with a gateway, set up gateway before connecting battery. Select a spot near tank you are installing.

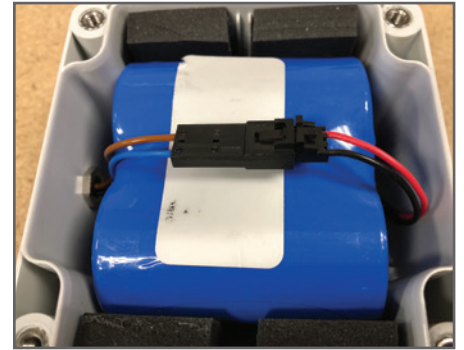
To power up TankScan Monitor, remove screws on cover of remote battery pack housing and connect battery connector to remote battery pack housing connector. Reinstall cover and tighten screws. Connect female threaded connector of battery cable to connector on remote battery pack housing. Connect male threaded connector of battery cable to connector on monitor housing.

Monitor will wake up and sound 1 beep. Then a second single beep will follow, with a third single beep for data transmission. 3 single beeps indicate a good connection was made. If more than 3 single beeps were heard, contact TankScan Technical Support. If 3 single beeps are confirmed, then proceed as follows.

Disconnect battery cable from remote battery pack and mount remote battery pack to tank at a temporary location using magnetic back.

 **Explosion Hazard. Use only ATEK provided battery pack.**

1



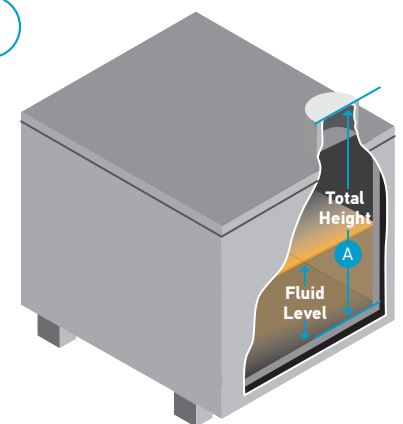
## Installation Considerations

Monitor needs to be mounted 12 inches from tank walls and inward protrusions such as cross beams, ribs, pipes, shafts, etc.

Do not allow liquid level to get closer than monitor's minimum sensing distance of 8 inches as liquid levels that close may produce inaccurate measurements.

Monitor needs to be installed level, pointing perpendicular to fluid.

3



## Take Measurement

- 2 Remove any equipment from tank port to be used by monitor. TSR monitor can be connected directly to tanks with a 2" NPT threaded opening.
- 3 Measure total height **A** from inside bottom of tank to top of tank port. Record measurement to later report to TankScan Technical Support to complete installation.

Total Height: \_\_\_\_\_

# TSR1720 Tank Monitor Setup Instructions



The power of data. **Optimized.**

## Mount TSR Monitor to Tank

- 4 Seal 2" pipe threads of monitor using product appropriate for this application prior to tightening into tank port. Remote battery pack cable can be removed for ease of installation then reconnected once monitor is fully mounted. Screw TSR Monitor into tank port and hand tighten until secure.
- 5 Connect battery cable to remote battery pack. Mount remote battery pack at base of tank such that the battery cable is coming out bottom of remote battery pack housing. If mounting remote battery pack to a plastic tank, apply hook and loop fastener strips to edges of magnet face of remote battery pack.

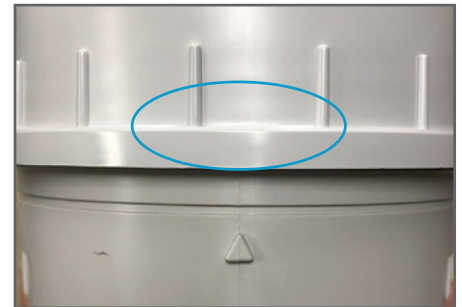
## Complete Installation

- 6 While still at tank, call TankScan Technical Support at 877-847-7226 to complete installation process and perform a system test.

If asked to wake monitor by TankScan Technical Support refer to location highlighted in picture on right.

**For questions or problems –  
Contact TankScan Technical Support  
877-847-7226**

6



Swiping Location to  
Wake Monitor

### Cellular

Contains FCC ID: MCQ-XB3M1

Contains IC: 1846A-XB3M1

### Rf

Contains FCC ID: MCQ-XBEE3

Contains IC: 1846A-XBEE3

### Operation is subject to the following 2 conditions:

1. This device may not cause harmful interference and
2. This device must accept any interference received, including interference that may cause undesirable operation.

223-0207-000 Rev. A 12/23

ATEK Access Technologies  
10025 Valley View Road, Ste. 190  
Eden Prairie, MN 55344 U.S.A.

PH: 1.800.523.6996  
FAX: 1.800.589.3705  
+1.218.829.9797

[www.atekaccess.com](http://www.atekaccess.com)

**ATEK** Access  
Technologies

Access the power of technology.

©2023 ATEK Access Technologies, LLC. All Rights Reserved. TankScan images and marketing materials are protected by various patents, copyrights and/or trademarks. ATEK assumes no responsibility for any errors which may appear in this document, reserves the right to change devices or specifications detailed herein at any time without notice, and does not make any commitment to update the information contained herein. No licenses to patents or other intellectual property of ATEK are granted by the Company in connection with the sale of TankScan products, expressly or by implication.