

# TSR1000 Tank Monitor Setup Instructions



The power of data. **Optimized.**

## Connect Battery Pack and Test Connection

**1** For tank farm systems with a gateway, set up gateway before connecting battery. Select a spot near tank you are installing.

To power up TankScan Monitor unscrew enclosure cover. Connect battery pack cable to connector on circuit board as shown.

Reinstall cover and hand tighten firmly.

Monitor will wake up and sound 1 beep. Then a second single beep will follow, with a third single beep for data transmission. 3 single beeps indicates a good connection was made.

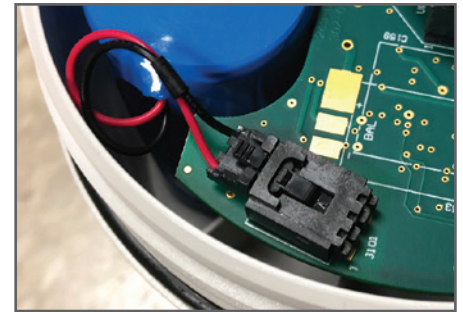
If more than 3 single beeps were heard, please contact TankScan Technical Support at 877-847-7226 or CCT@TankScan.com.

If 3 single beeps are confirmed, then proceed as follows.



**Caution. Use only TankScan provided battery pack part # TSTRB03000.**

**1**



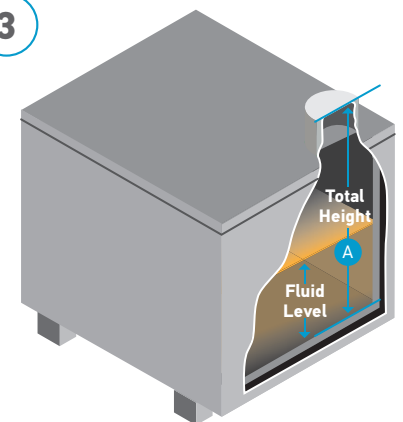
## Installation Considerations

Monitor needs to be mounted 12 inches from tank walls and inward protrusions such as cross beams, ribs, pipes, shafts, etc.

Do not allow liquid level to get closer than monitor's minimum sensing distance of 4 inches as liquid levels that close may produce inaccurate measurements.

Monitor should be installed level, pointing directly at the fluid.

**3**



## Take Measurement

**2** Remove any equipment from tank port to be used by monitor. TSR monitor can be connected directly to tanks with a 1.5" or 2" NPT threaded opening.

**3** Measure total height **A** from inside bottom of tank to top of tank port. Record measurement to later report to TankScan Technical Support to complete installation.

Total Height: \_\_\_\_\_

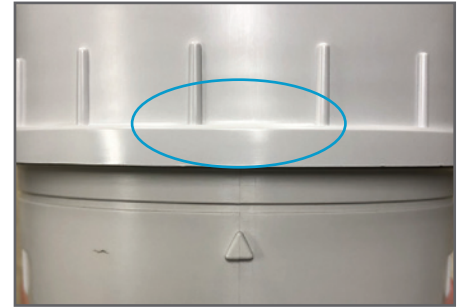
# TSR1000 Tank Monitor Setup Instructions



The power of data. **Optimized.**

## Mount TSR Monitor to Tank

- 4 Screw TSR monitor into tank port and hand tighten until secure
  - Seal pipe threads of monitor using product appropriate for this application prior to tightening into tank port.



Swiping Location to  
Wake Monitor

## Complete Installation

- 5 While still at tank, call TankScan Technical Support at 877-847-7226 to complete installation process and perform a system test.

If asked to wake monitor by TankScan Technical Support refer location highlighted in picture on right.

**For questions or problems –  
Contact TankScan Technical Support  
877-847-7226**

223-0199-000 Rev. C 9/24

TankScan  
10200 Wild Duck Pass  
Eden Prairie, MN 55347 USA

PH: 877-847-7226

[www.tankscan.com](http://www.tankscan.com)

©2024 ITEK LLC. All Rights Reserved. TankScan images and marketing materials are protected by various patents, copyrights and/or trademarks. ITEK assumes no responsibility for any errors which may appear in this document, reserves the right to change devices or specifications detailed herein at any time without notice, and does not make any commitment to update the information contained herein. No licenses to patents or other intellectual property of ITEK are granted by the Company in connection with the sale of TankScan products, expressly or by implication.



The power of data. **Optimized.**