

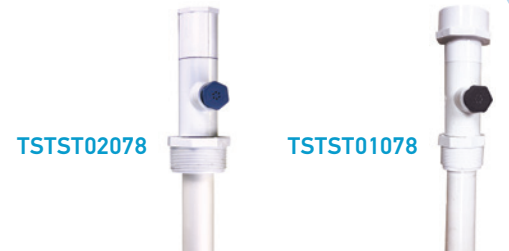
# Stilling Tube Installation Instructions



The power of data. Optimized.

**IMPORTANT: At least 2 hours prior to installing, you MUST contact ATEK's Customer Care Team (CCT) at 800-523-6996 or CCT@TankScan.com.**

**Do NOT begin the installation process without first calling ATEK.**



## Take Measurements

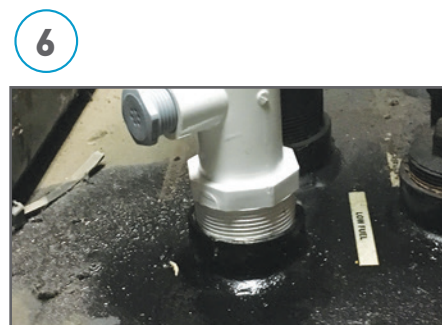
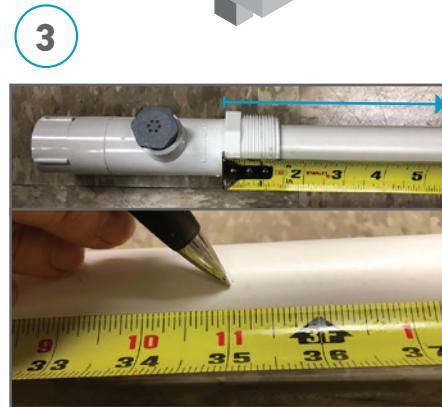
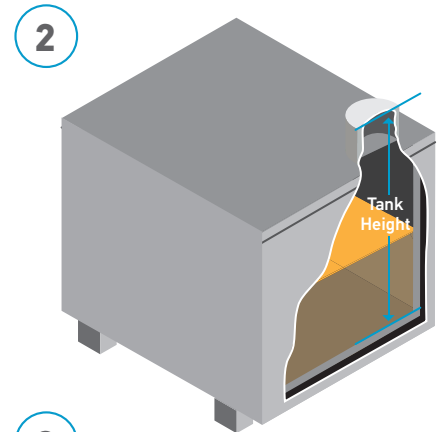
- 1 Remove any equipment from tank port to be used by stilling tube if present
- 2 Measure tank height from inside bottom of tank to top of tank port.  
Tank Height: \_\_\_\_\_

## Cut Stilling Tube to Length

- 3 Measure down stilling tube pipe from top of bushing using tank height measurement from step 2, and mark location on stilling tube pipe.
  - If planning to screw into 2 inch tank opening, add 1 inch to tank height measurement from step 2 prior to marking location on stilling tube pipe.
- 4 Cut stilling tube pipe to length at marked location made in step 3.
  - Remove burrs by running a sharp object or sandpaper along inside and outside edges of pipe.

## Install Stilling Tube

- 5 If tank port has a 2 inch opening, screw included 2 inch adapter bushing onto stilling tube's existing bushing. Otherwise use stilling tube as is.
- 6 Seal pipe threads of stilling tube bushing using product appropriate for this application, then insert tube into tank port and tighten.
  - Breather vent protruding outside of stilling tube can be temporarily removed if more clearance is required to rotate stilling tube. Breather vent MUST be reinstalled if removed. Tighten vent finger tight plus one rotation.
- 7 Screw monitor or sensor into top of stilling tube until tight
  - Seal pipe threads of monitor or sensor using product appropriate for this application prior to tightening into tank port.



223-0176-002 Rev. D 5/19

ATEK Access Technologies  
10025 Valley View Road, Ste. 190  
Eden Prairie, MN 55344 U.S.A.

PH: 1.800.523.6996  
FAX: 1.800.589.3705  
+1.218.829.9797

[www.atekaccess.com](http://www.atekaccess.com)



Access the power of technology.