

# TankScan<sup>®</sup> TSU Site Survey

## Tank Options



The power of data. **Optimized.**

### Customer Information

**Company Name:** \_\_\_\_\_

**Company Address:** \_\_\_\_\_

**Main Contact:** \_\_\_\_\_ **Main Contact Phone:** \_\_\_\_\_

**Email Address:** \_\_\_\_\_

### Site Information

**Site Name:** \_\_\_\_\_

**Site Address:** \_\_\_\_\_ **State:** \_\_\_\_\_ **ZIP:** \_\_\_\_\_

**Site Contact:** \_\_\_\_\_ **Site Contact Phone:** \_\_\_\_\_

**Site Email Address:** \_\_\_\_\_

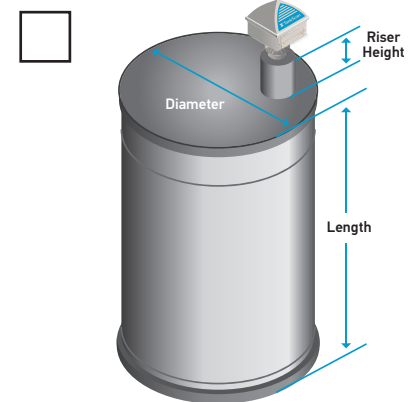
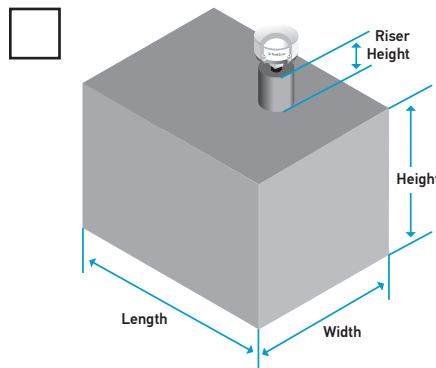
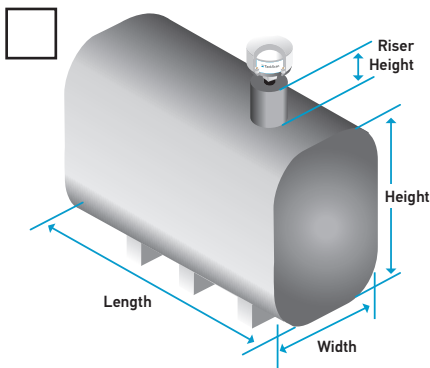
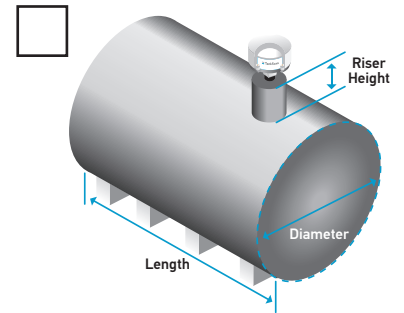
### Tank Details

**1 Site Code** (could be the same name as the site name if only one tank is being monitored)  
\_\_\_\_\_

**2 Provide Capacity in Gallons (if known)** \_\_\_\_\_

**3 Provide Tank Measurements**  
Tank Length: \_\_\_\_\_ Tank Diameter: \_\_\_\_\_  
Tank Width: \_\_\_\_\_ Riser Height: \_\_\_\_\_

Check your applicable tank.



### Tank Details (continued)

#### 4 Is the Tank Double-walled?

Yes  No

If Yes, What is the distance between walls? \_\_\_\_\_

#### 5 Provide Tank Openings Details.

This is the opening that will be used for monitor mounting.

No opening  1" opening  1.5" opening  2" opening  Other \_\_\_\_\_ (include size)

• Is there currently a mechanical gauge on the opening that is in use: Yes  No

• If Yes, is the customer willing to swap the mechanical gauge for the electronic monitor: Yes  No

#### 6 Take Photos of the Tank

Note the site name on each photo. Include photos of the following:

- Tank
- Area around the tank
- Tank opening (from step 5)
- Risers (if applicable)

Information provided by this survey will be used to build and provision the tank monitors and requires accuracy.

Please contact ATEK Access Technologies with any questions at **800-523-6996**.

After completion, return this survey and photos to **CCT@tankscan.com**.