

TSM1000 Cellular Tank Monitor Setup Instructions



The power of data. **Optimized.**

IMPORTANT: At least 2 hours prior to installing, you MUST contact ATEK's Customer Care Team (CCT) at 800-523-6996 or CCT@TankScan.com.

Do NOT begin the installation process without contacting ATEK.

Take Measurements

- 1 Remove any equipment from tank port to be used by monitor, if present. TSM monitor can be connected directly to tanks with a 1.5" or 2" NPT threaded opening.
- 2 Measure tank height from inside bottom of tank to top of tank port and to top of fluid level in tank. Record and report these measurements to CCT.

Tank Height: _____ Fluid Level: _____

Cut Probe Wire to Length

- 3 Determine probe wire length using Probe Length Calculation diagram then measure probe wire length from wire exit point in housing base until calculated length is reached at this point trim off excess wire. Always cut probe wire shorter than tank's height to ensure accurate level readings

Check Probe Wire for Kinks

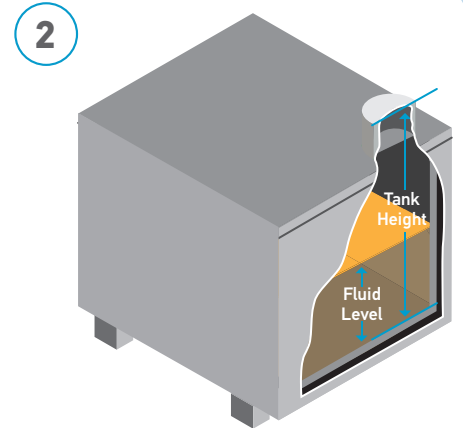
- 4 Check probe wire to make sure there are no kinks. Kinks will cause false readings.

Determine if Probe Wire Guard (PWG) is Needed

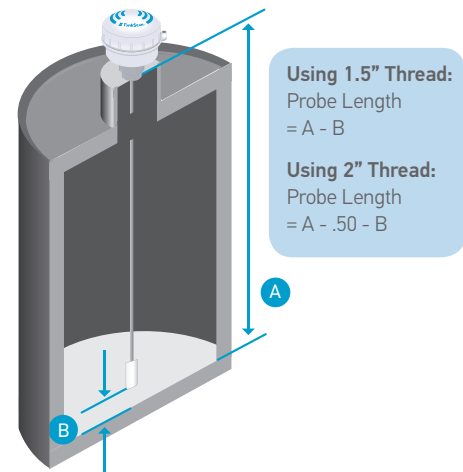
- 5 For monitors installed on risers greater than 3 inches long, a PWG is required to prevent probe wire from contacting riser. Refer to included TankScan Probe Wire Guard Installation Guide or visit tankscan.com/support.

If PWG was required but not provided as a field-installable kit, contact ATEK's Customer Care Team and order PWG Field Install Kit before proceeding with monitor installation.

If PWG is not required, then proceed to step 6.



Probe Length Calculation



A = Total interior height of the tank including any riser height.

B = Distance from the bottom of the tank, use 1" for tanks 12' or shorter and 2" for tanks taller than 12'

TSM1000 Cellular Tank Monitor Setup Instructions



The power of data. **Optimized.**

Attach Float Assembly

- 6** Slide float assembly onto probe wire if included with monitor.



Attach Probe Wire Weight

- 7** Slide weight onto probe wire such that wire extends through entire weight. Tighten weight clamp using provided hex wrench.



Connect Battery

- 8** Unscrew enclosure cover and connect battery cable to connector on circuit board as shown, then reinstall cover and hand tighten firmly.

Mount TSM Monitor to Tank

- 9** Lower probe wire with weight **gently** through tank port into tank. Position monitor over tank port and hand tighten until secure.

Seal pipe threads of monitor using product appropriate for this application prior to tightening into tank port.

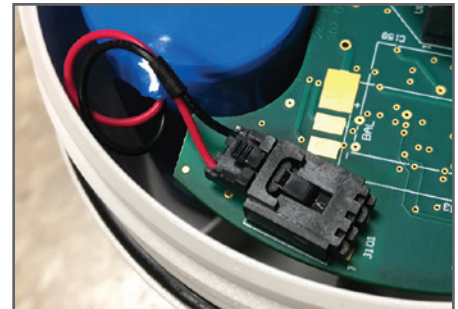
Test Setup

- 10** Test monitor by swiping magnet end of supplied screwdriver along cover's rim above triangle indicator on housing base until a beep is heard. Monitor will take a level reading and then report to ATEK Intelligence Platform (AIP). A second single beep will occur once monitor has finished reporting its level measurement.

- 11** Call ATEK's Customer Care Team, 800-523-6996, and ask for TankScan Technical Support to finish monitor setup.

NOTE: Step 11 must be completed for monitor to function properly.

8



10



223-0180-000 Rev. A 5/19



WARNING: Cancer and Reproductive Harm - www.P65Warnings.ca.gov

ATEK Access Technologies
10025 Valley View Road, Ste. 190
Eden Prairie, MN 55344 U.S.A.

PH: 1.800.523.6996
FAX: 1.800.589.3705
+1.218.829.9797

www.atekaccess.com



Access the power of technology.

©2019 ATEK Access Technologies, LLC. All Rights Reserved. TankScan images and marketing materials are protected by various patents, copyrights and/or trademarks. ATEK assumes no responsibility for any errors which may appear in this document, reserves the right to change devices or specifications detailed herein at any time without notice, and does not make any commitment to update the information contained herein. No licenses to patents or other intellectual property of ATEK are granted by the Company in connection with the sale of TankScan products, expressly or by implication.